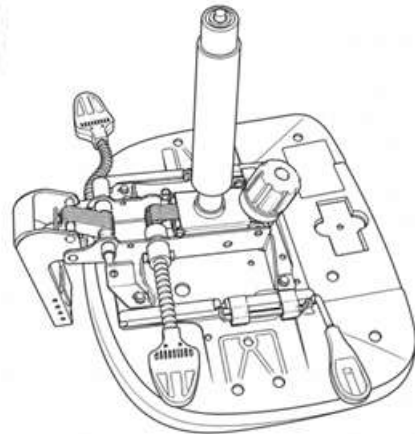


Assembly Instructions

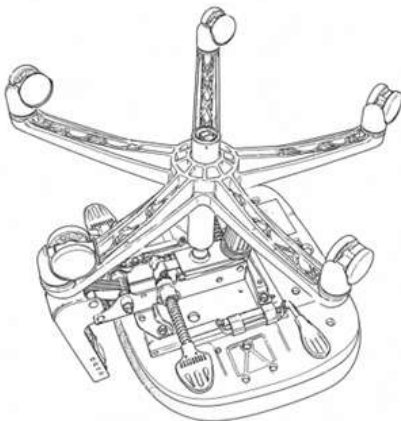
Dal Ergoteq Chair - no arms



Step 1: Fit castors into base



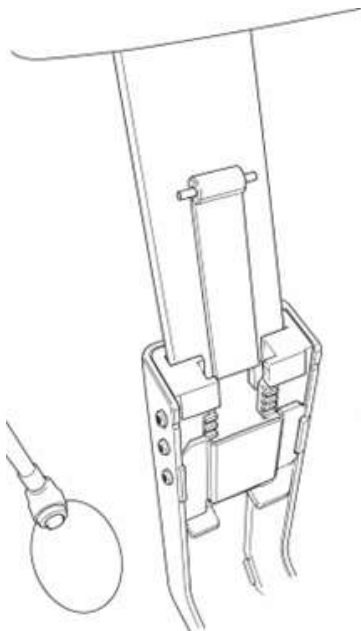
Step 2: Insert Gas Lift into mechanism



Step 3: Fit base to gaslift



Step 4: Stand chair the right way up



Step 5: Slide Backbar on backrest into mech.

Important: Remove rubber band & small plastic packing block first